

# PF09

## Rotary throttle position sensor



### Description

Automotive specification rotary potentiometer housed in fibreglass reinforced PBT casing. Output drive direction is 'Anti - clockwise' when viewed from the mounting face of the sensor

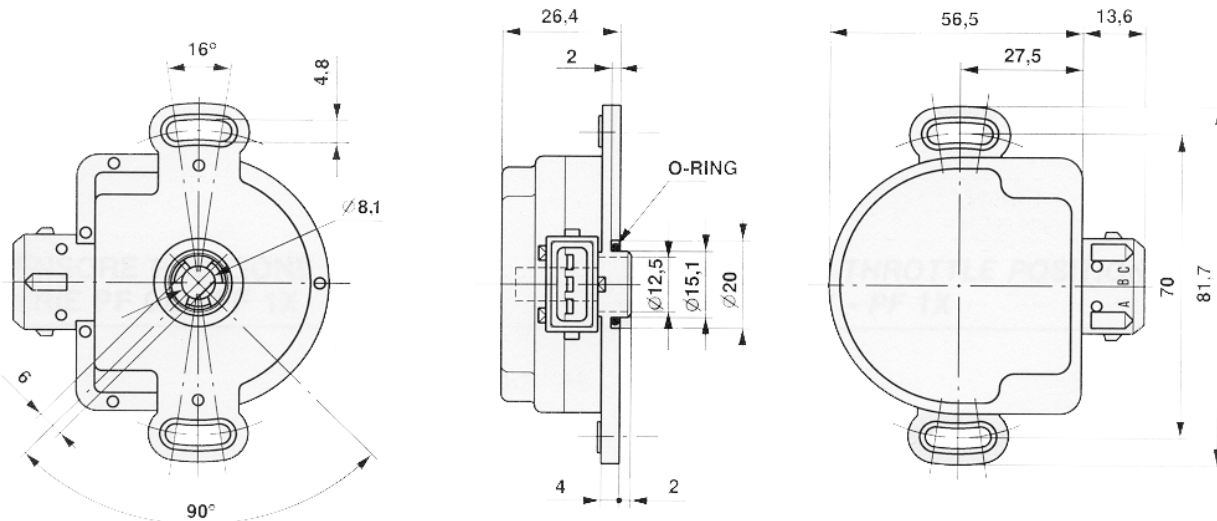
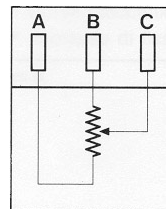
Typical applications are for throttle position measurement within a low cost or low volume serial production engine.

Drive method – Shaft with single flat side



### Technical Data

Housing..... PBT  
Power supply ..... 5 Vdc  
Connector ..... 3 way minitimer  
Mechanical travel ..... 90° +/- 2°  
Mounting holes spacing ..... 70 mm  
Resistance ..... 0.55 Kohm  
..... +/- 20%  
Usable electrical travel ..... 90° +/- 3°  
Accuracy ..... +/- 3 %  
Temperature range ..... -30 > +125 °c  
Vibration..... 20g  
..... In the range 60 > 1000Hz



### Ordering information

Part No.	Cable length	Connector	Description	Order Code
PF09	N/a	3 way minitimer	Rotary throttle potentiometer	219244350500

For further details please contact

MM Competition Systems Ltd  
Unit 3, Old Station Business Park,  
Compton, Berkshire,  
RG20 6NE  
England

Tel: +44 (0)8707 444666  
Fax: +44 (0)8707 444888

mail@mmcompsys.com