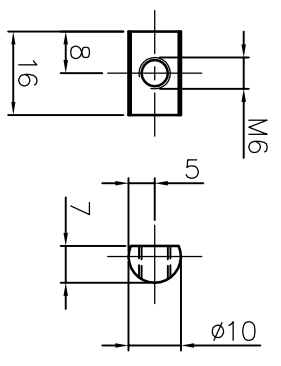
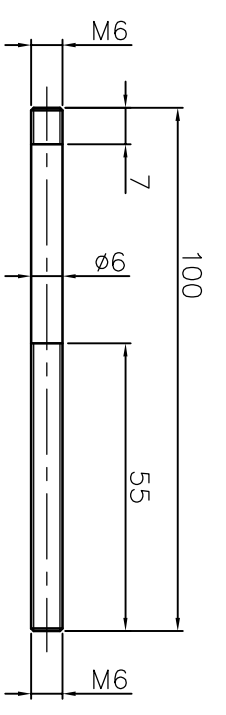
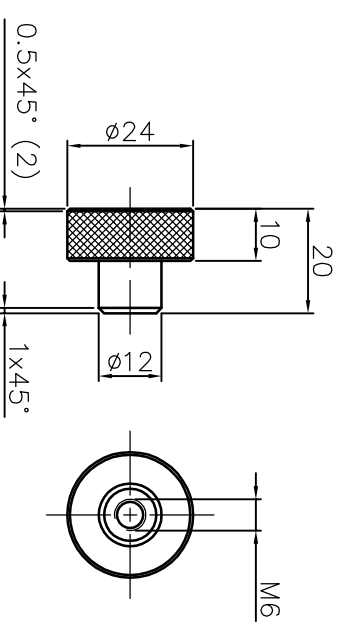
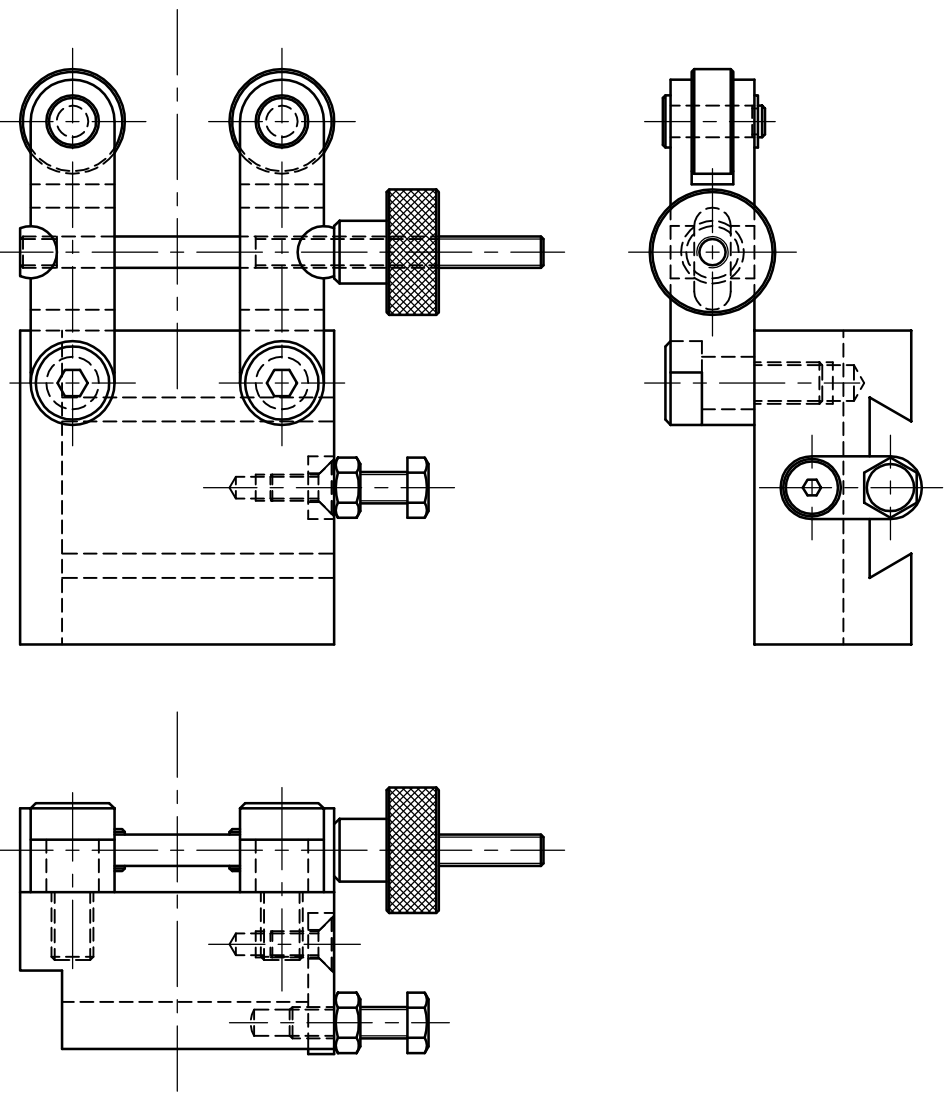


HEX. HEAD
SCREW
M6x30



Projection:
 Drawn: WE
 Scale: 1:1
 Date: 07.02.06
 Checked: —

Project: **KNURLING HOLDER**
 Titel: **ASSY + DETAILS**
 Ermers Engineering
 The Netherlands
 Size: **A2**
 Drawing Number: —

CAD